

KY Crypto IP ADAPTER

Model KYIP-750(V)



KY-57/ KY-99 IP Adapter

TELEGRID's KY-57/ KY-99 Internet Protocol (IP) Adapter Model KYIP-750(V) is an enhanced version of TELEGRID's KY-57 Buffers Models KYB-701, 702 and 703 currently fielded by the US Army and USMC. The Adapter creates an IP presence for the KY-57 or KY-99 VINSON voice encryption devices which allows the device to connect to remote communications facilities (radio or satellite) over the Internet. The IP connection is controlled by Push-To-Talk (PTT) signal activation by the operator. The Adapter is available in two versions. Version KYIP-750(V)1 includes a 10/100BaseT Ethernet Internet interface and version KYIP-750(V)2 includes an IEEE802.11 Wi-Fi wireless interface.

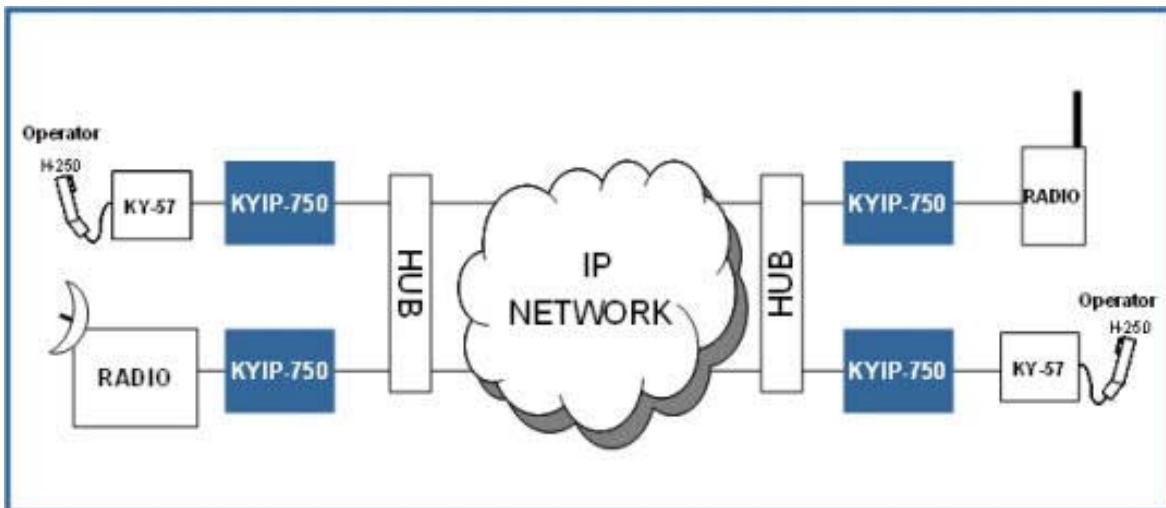


Features

- Converts Cipher Text (CT) output of VINSON KY-57 and KY-99A voice encryptors to an Internet Protocol (IP) bit stream using Ethernet 10/100BaseT physical interface.
- IP bit stream is controlled by operator activation of Push-To-Talk (PTT) signal.
- Fast and secure Wide Area Network (WAN) and/or Local Area Network (LAN) connectivity.
- Allows several secure users to share a single communications facility (e.g., hub and routers/ switches) over the Internet.
- Supports both DHCP and static IP address designation.
- Instant connectivity via TCP or UDP communication protocols.
- Available in +5VDC, +28VDC or 110 VAC power options.

Technical Specifications

Data Rate:	16Kbps
KY Connector:	DB-9 (F)
Ethernet Connector:	RJ-45
DC Power Connector:	Hirose RM12BRD-2PH
Operating Temperature:	0 to 40°C (optional industrial temperature range of -40°C to +85°C available)
Relative Humidity:	0 to 90% non-con
Power options:	+5 VDC, +28 VDC, 85-264 VAC @ 47-63 Hz
Dimensions:	1.70" x 5.65" x 12.50" (HxWxL)
Weight:	3 lbs. (incl. tray and AC power cord)



KYIP-750 Concept of Operation

TELEGRID Technologies, Inc.
19 Microlab Road
Livingston, NJ 07039
(973) 994-4440
sales@telegrid.com